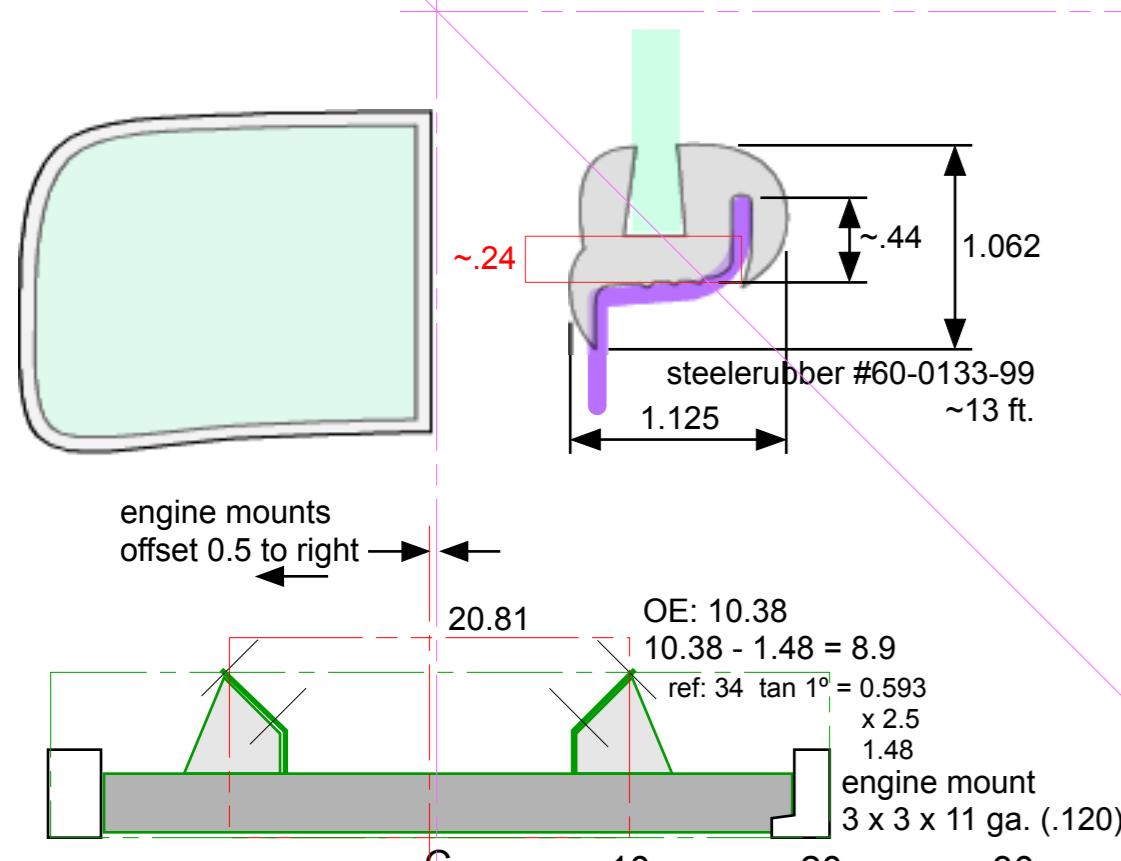
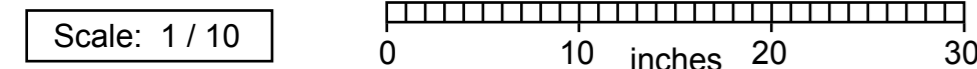


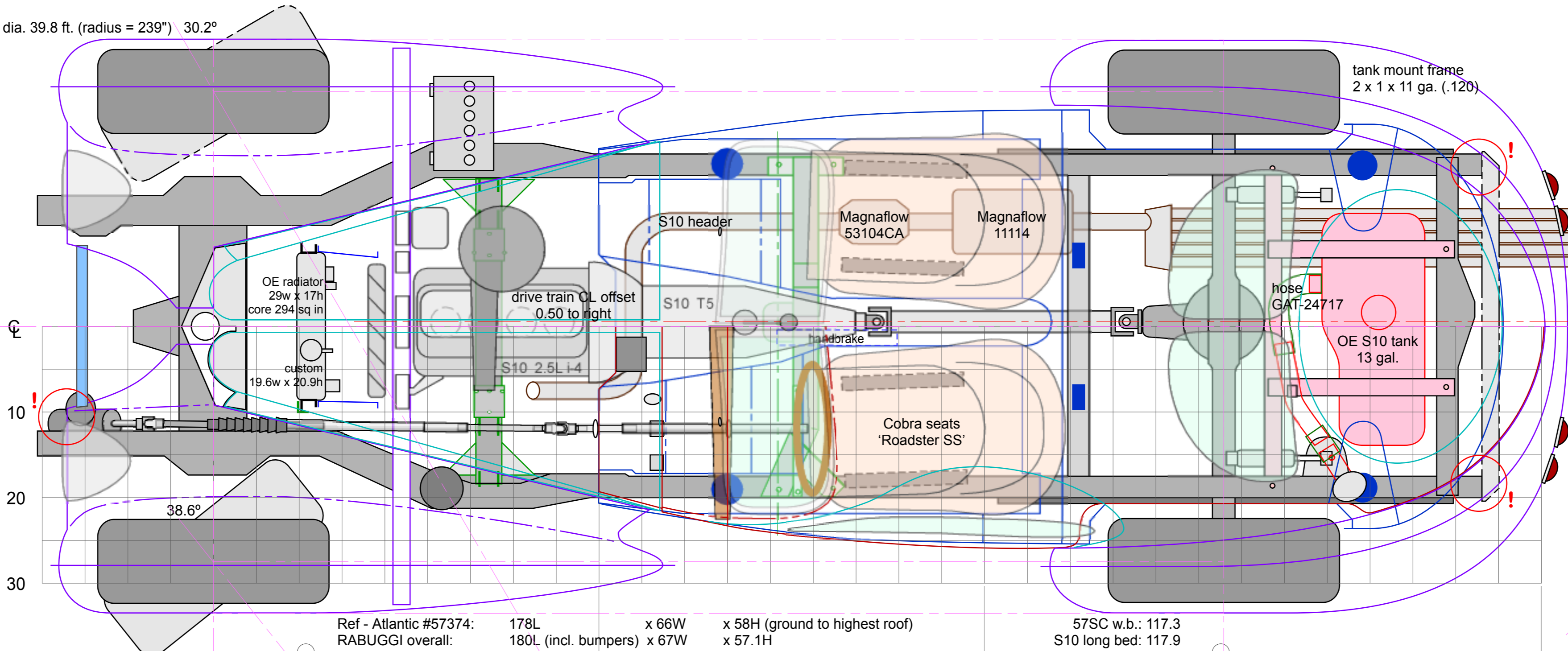


http://trumpetb.net/57SC/

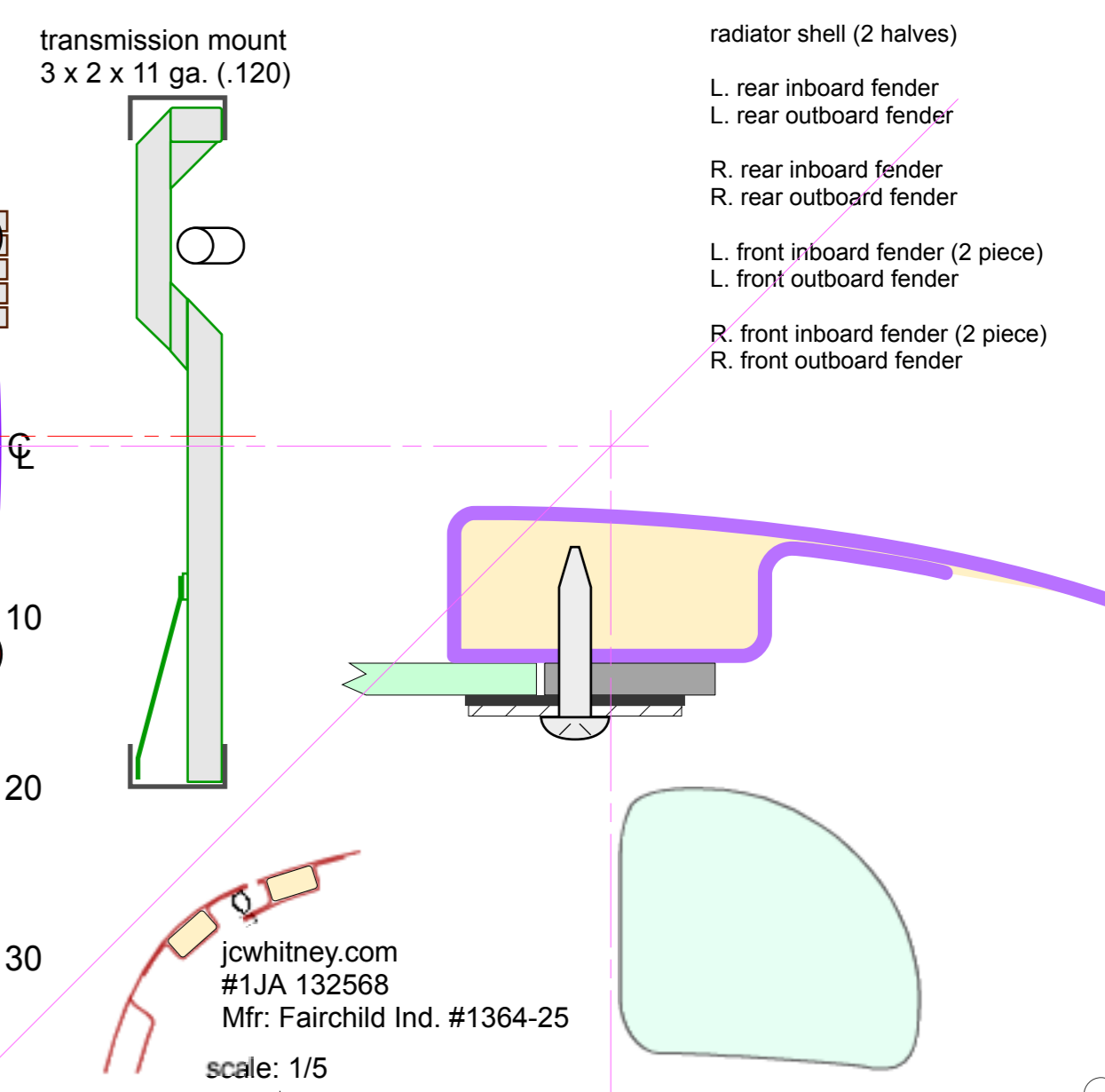
Concept Layout  
1936 Bugatti Type 57SC Atlantic - RAB Replica  
Initiated September 29, 2005 - R.A.B.  
Last Revised October 19, 2017 - R.A.B.



S10 turning dia. 39.8 ft. (radius = 239") 30.2°

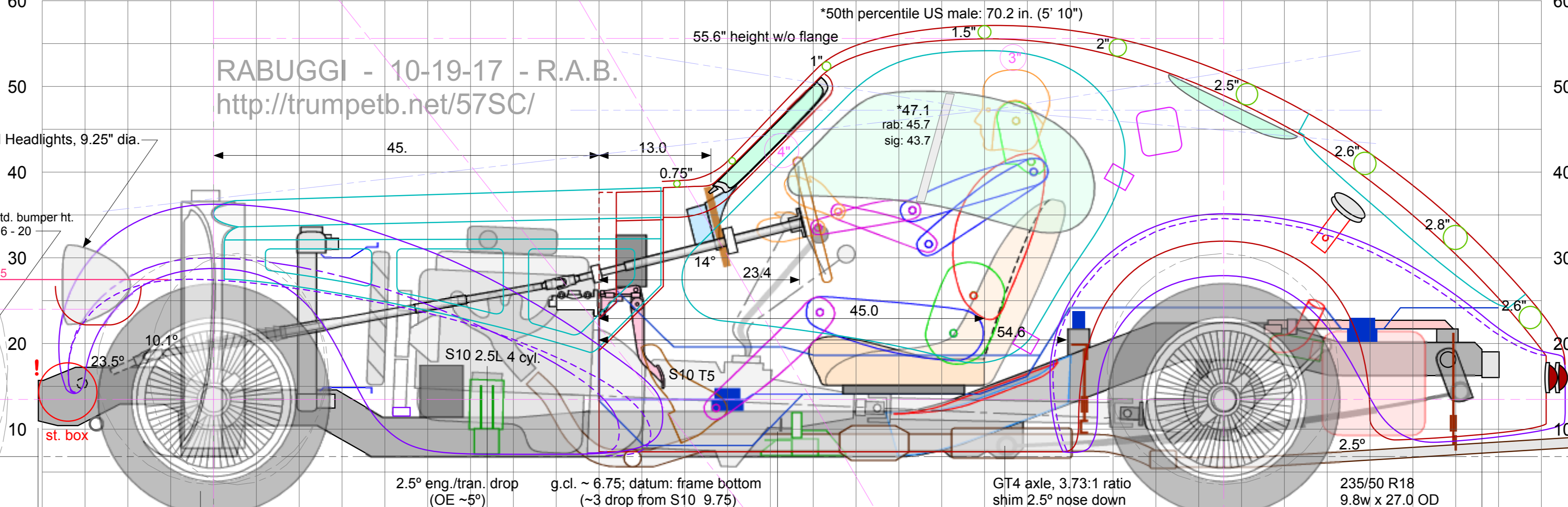


Ref - Atlantic #57374: 178L x 66W x 58H (ground to highest roof)  
RABUGGI overall: 180L (incl. bumpers) x 67W x 57.1H  
57SC w.b.: 117.3  
S10 long bed: 117.9

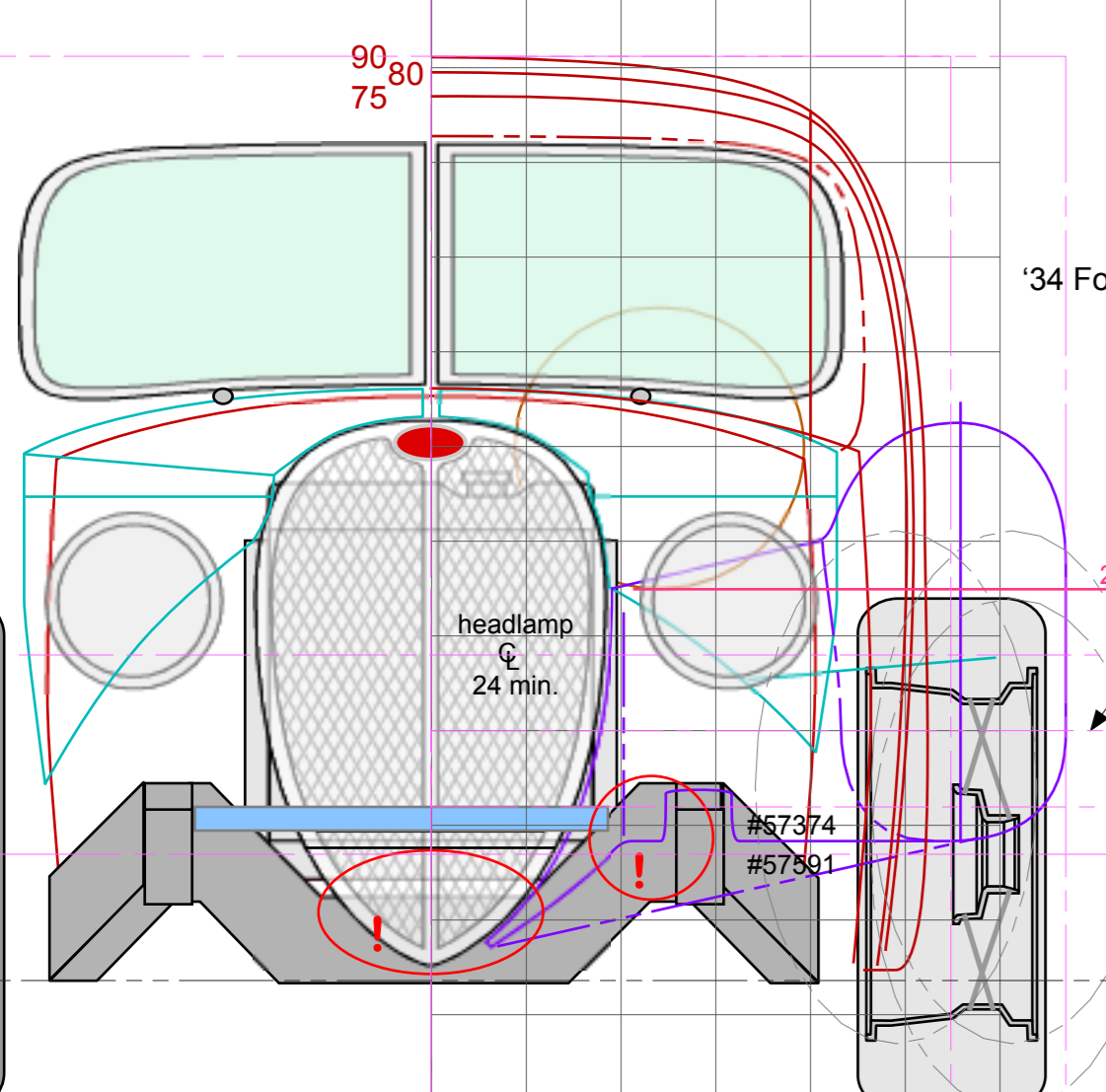


\*50th percentile US male: 70.2 in. (5' 10")

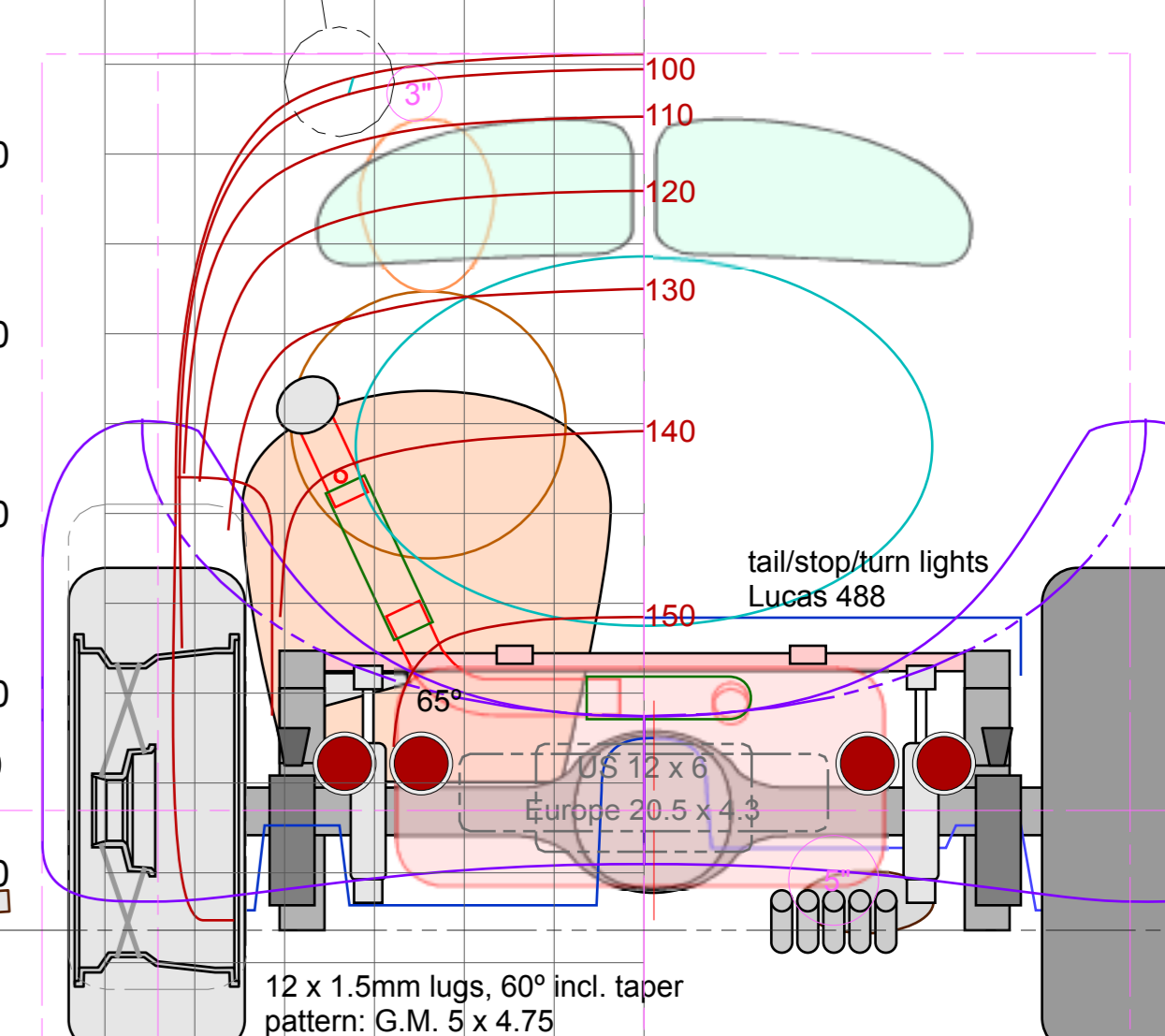
RABUGGI - 10-19-17 - R.A.B.  
http://trumpetb.net/57SC/



OE eng mt. ~1.5 ref. → 34.0 → 85.9 → 57SC wheelbase: 117.3 S10 long bed: 117.9 → 25.5 ref. → 30.2



(Ref. 57SC track: 53.15)  
S10 track, f/r: '82-'93: 54.1 / 54.1 ('94-'04: 54.5 / 54.6)  
measured with 18x8 4.5 bs. wheels: 54.9 / 54.1



(Ref. 57SC track: 53.15)  
S10 track, f/r: '82-'93: 54.1 / 54.1 ('94-'04: 54.5 / 54.6)  
measured with 18x8 4.5 bs. wheels: 54.9 / 54.1