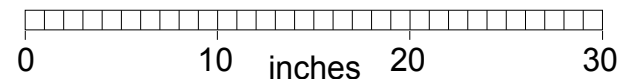


Radiator - RABUGGI

10-01-07 R. A. B.

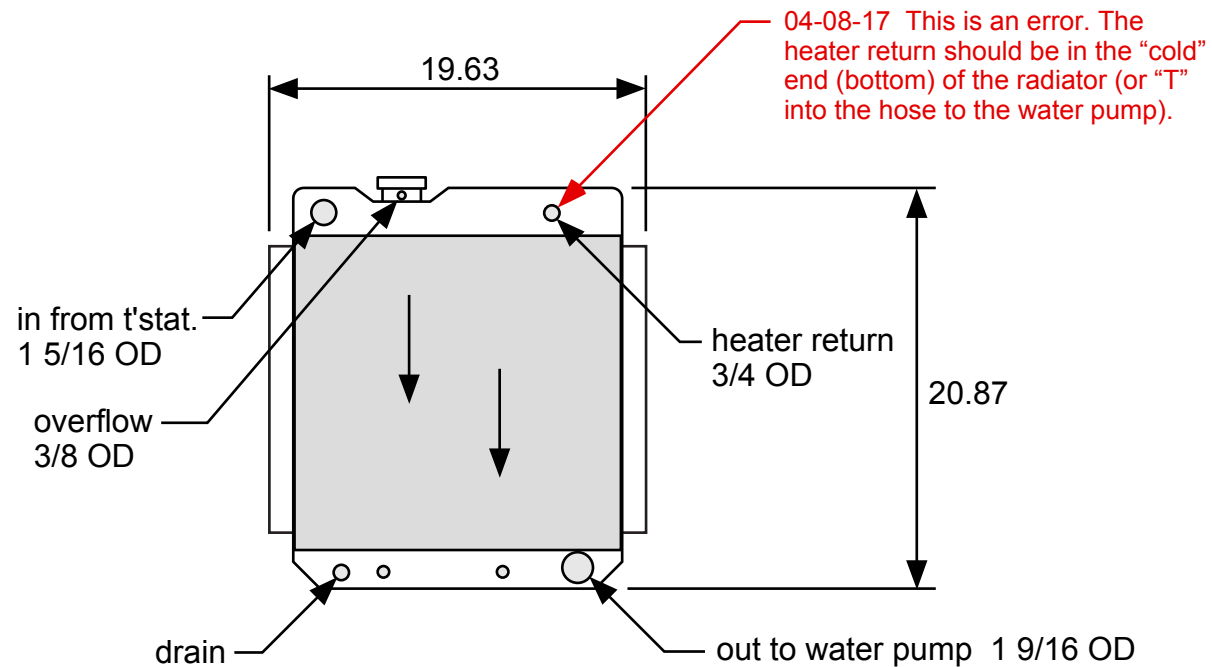
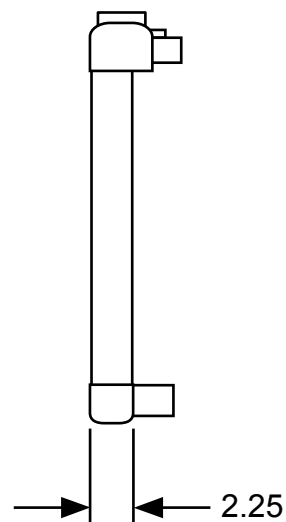
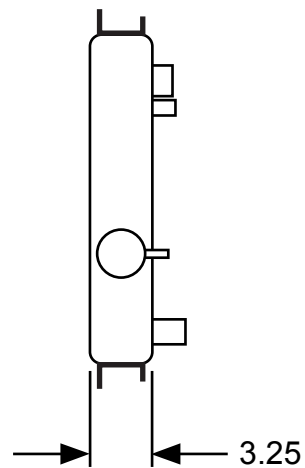
scale: 1 : 10



✓ Oshkosh Radiator
235-4510 -- Chris

RADPRO 130
433259
\$226.80

o'all: 19.63 w x 20.87 h
core: 17 w x 16.25 h (276 sq. in.)
2.00 thick
13 lbs.



ref. - O.E. S10 (1991 2.5L 4 cyl.)

