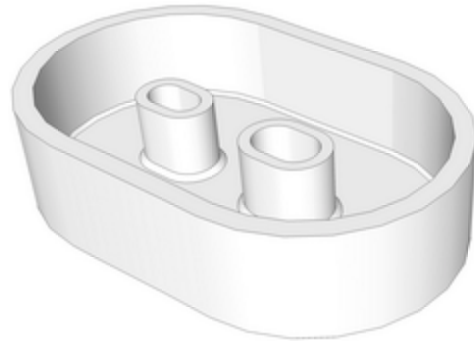




(ref: T-block-cap-DINalt.skp)



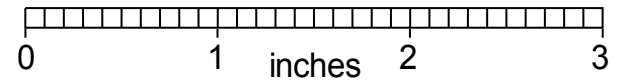
# RABUGGI

Terminal Block Cover  
(for S10 firewall terminal block)

Aug. 06, 2020 - R.A.B.

rev: 08-09-20 - R.A.B.

scale: full



(Experimental C.E. 3D printer part)

material: black plastic (PETG)

General wall: 0.10 thick

