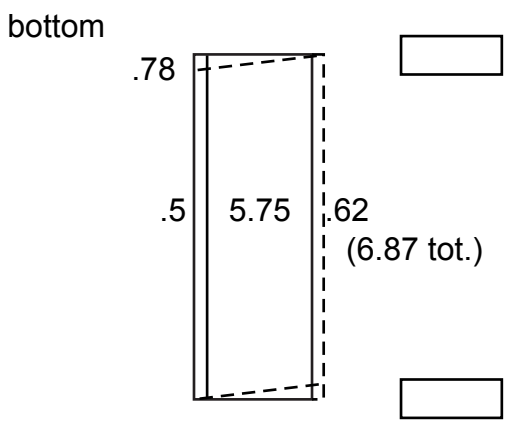


$\tan 2.5 (16.5 \text{ in}) = .72 \text{ in}$
 $7.0 - .72 = 6.28$



RABUGGI
 Radiator Shroud Parts
 10-27-07 R.A.B.
 rev. 11-06-07
 scale: 1/10
 Aluminum - 6061-T4 ?
 ~.040 thick