

# Grote 7 Sealed Beam Replacement LED Headlamp

Product Information Sheet

FORWARD LIGHTING



## PRODUCT SPECIFICATIONS

### MATERIALS

Weight: 1.5 lbs

Housing Material: Die Cast Aluminum, Black Powder Coated Finish

Lens Material: Polycarbonate, Hard Coated UV resistant finish

Heat Management: Natural Convection, Heat Fins

Mounting Options: Fixed mounting via mounting pads

### ELECTRONIC CHARACTERISTICS

Connector type: Automotive H4

Input Voltage: 9V-32V

Power Draw (12V):

Low Beam, 15W. High Beam, 27W

### OPTICS

Light Output (Instant On Lumens | Effective Lumens):  
Low Beam (600 | 291). High Beam (1085 | 767)

Lamp Efficacy (Effective lumens/ Watt):  
Low Beam, 19 Lm/W. High Beam 28 Lm/W

Optical Package: Metalized Reflector, Clear Lens

### RATINGS AND COMPLIANCES

FMVSS 108 Head Lamps: 2D1

Complies with SAE specs: S6.5.3 Markings, S14.4.1 Color, S14.6.1 Abrasion, S14.6.2 Chemical resistance, S14.6.3 Corrosion, S14.6.4 Connector Corrosion, S14.6.5 Dust, S14.6.6.3 Temperature Cycle, S14.6.6.4 Internal Heat, S14.6.7 Humidity, S14.6.8 Vibration, S14.6.15 Head lamp connector

### BULB INTERCHANGE

6014, 6015, 6016, H6024

## Use Grote LED headlamps to replace those tired, dim halogen lamps

- DOT compliant, 2D1 headlamp system is legal for all 7" (Par 56) systems, including motorcycles, passenger vehicles and commercial vehicles.
- LED headlights have color temperature most like natural sunlight. They improve the driving experience for drivers by decreasing eye fatigue and providing better detail, thus decreasing chances for accidents.
- Headlight uses a hard coated, UV protected, high impact resistant polycarbonate lens that resists cracking and yellowing.
- 9v-32v allows this lamp to be used on 12v and 24v electrical systems.
- Utilizes 3 pin, H4 connector.

Part Number	Connector	Operating Voltage (V)	Amperage (A)
90941-5	AUTOMOTIVE H4	12V	LOW 1.14 A, HIGH 2.13 A

2600 Lanier Drive, Madison, Indiana U.S.A. 47250-0550

U.S. **800.628.0809** Canada **800.268.5612**

Europe **+49 9422 40331-0** Mexico **+(52) 818262 4412** China **+86.21.5774.9633**

[grote.com](http://grote.com)

# Grote 7 Sealed Beam Replacement LED Headlamp

Product Information Sheet

FORWARD LIGHTING

## HIGH BEAM COMPARISON

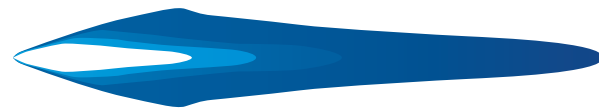
1390+ Ft | 425+ M

190+ Ft  
60+ M



685+ Ft | 210+ M

112+ Ft  
35+ M



## LOW BEAM COMPARISON

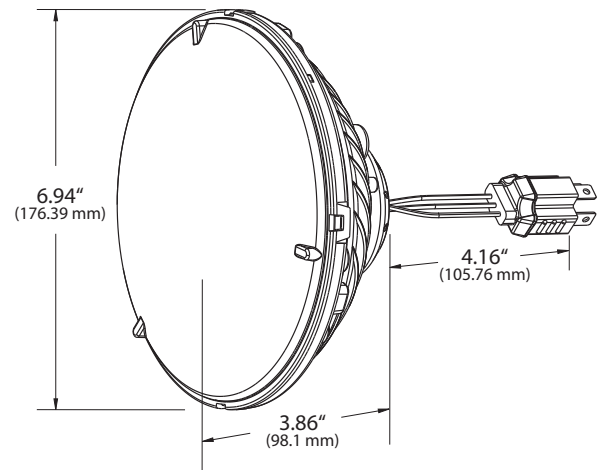
550+ Ft | 170+ M

112+ Ft  
35+ M



410+ Ft | 125+ M

50+ Ft  
15+ M



2600 Lanier Drive, Madison, Indiana U.S.A. 47250-0550

U.S. 800.628.0809 Canada 800.268.5612

Europe +49 9422 40331-0 Mexico +(52) 818262 4412 China +86.21.5774.9633

[grote.com](http://grote.com)

**Grote**